

# 3D-FEM-Simulation of Magnetic Shape Memory Actuators

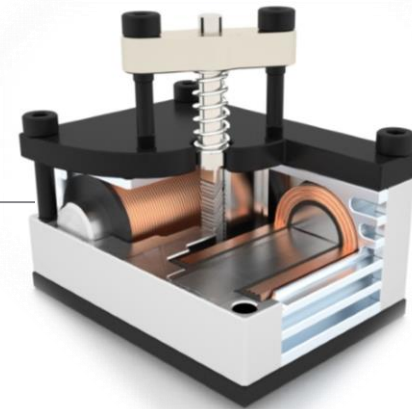
M.Schautzgy<sup>1/2</sup>, U.Kosiedowski<sup>2</sup> and T.Schiepp<sup>1</sup>

<sup>1</sup>ETO MAGNETIC GmbH • Hardtring 8 • 78333 Stockach • Germany

<sup>2</sup>HTWG Konstanz • Brauneeggerstraße 55 • 78462 Konstanz • Germany

**ETO** GRUPPE  
jointly innovative

Aktoren und Sensoren



**COMSOL  
CONFERENCE**  
2016 MUNICH

ETO MAGNETIC GmbH  
Hardtring 8  
78333 Stockach  
Tel.: 07771 809 0  
Fax: 07771 809 100  
[www.etogroup.com](http://www.etogroup.com)

**Short Overview Magnetic Shape Memory Alloys as a Smart Material**

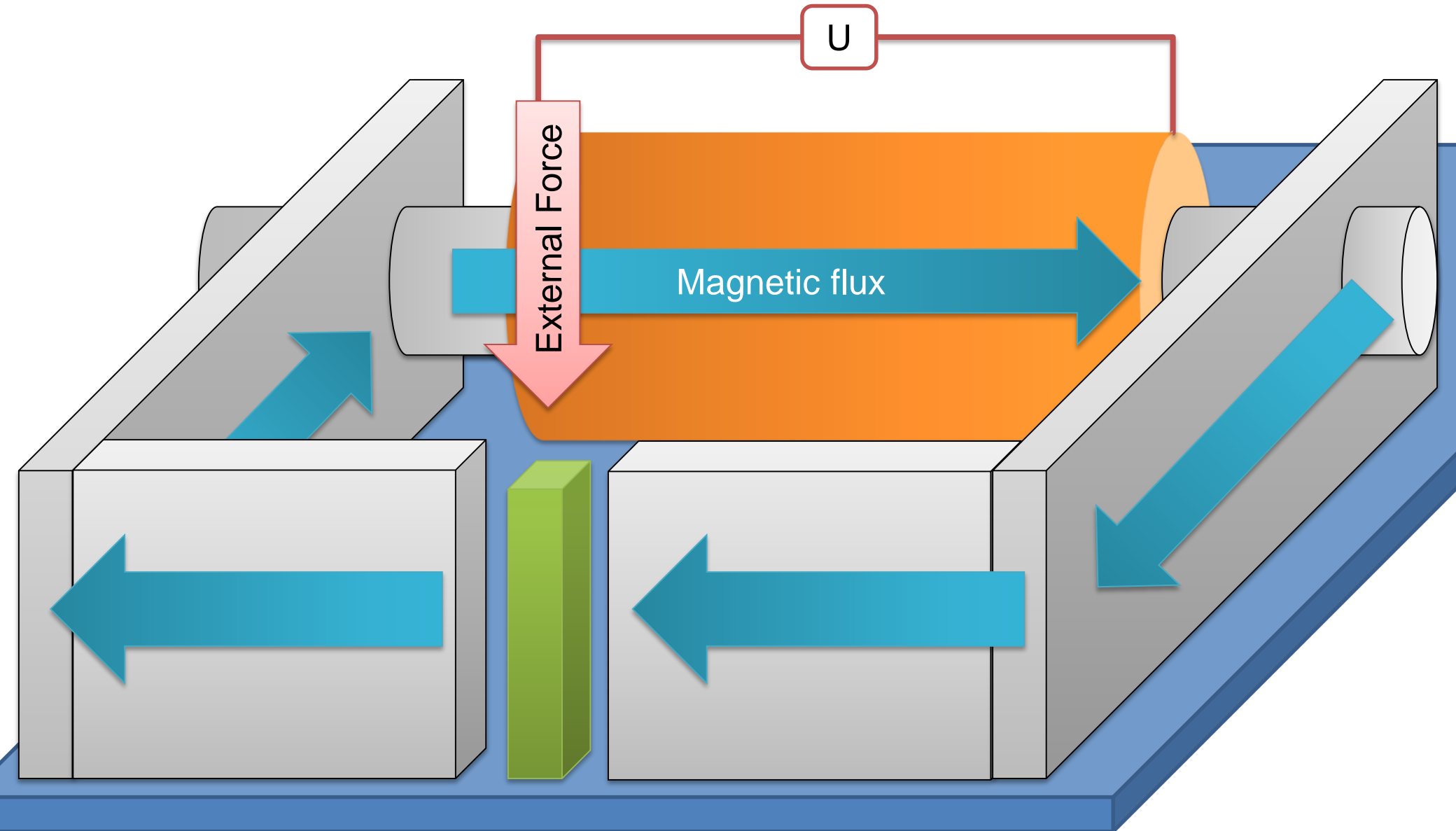
**Magnetic Shape Memory Effect**

**Magnetomechanical Behaviour of Magnetic Shape Memory Alloys**

**Iterative Magnetostatic FEM Model – Stress Based Simulation**

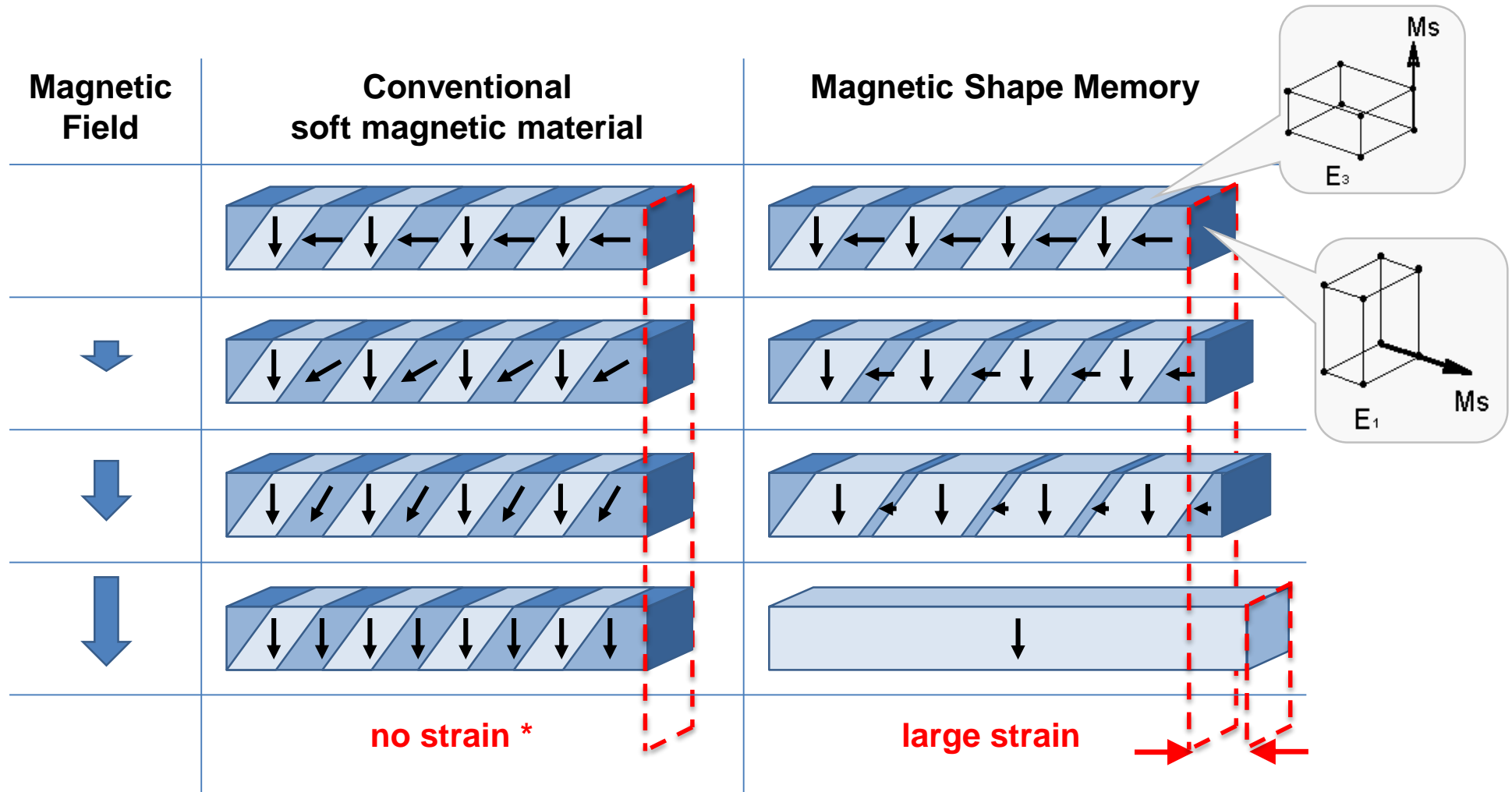
**Simulation Results**

**Conclusion and Outlook**



# Magnetic Shape Memory Effect

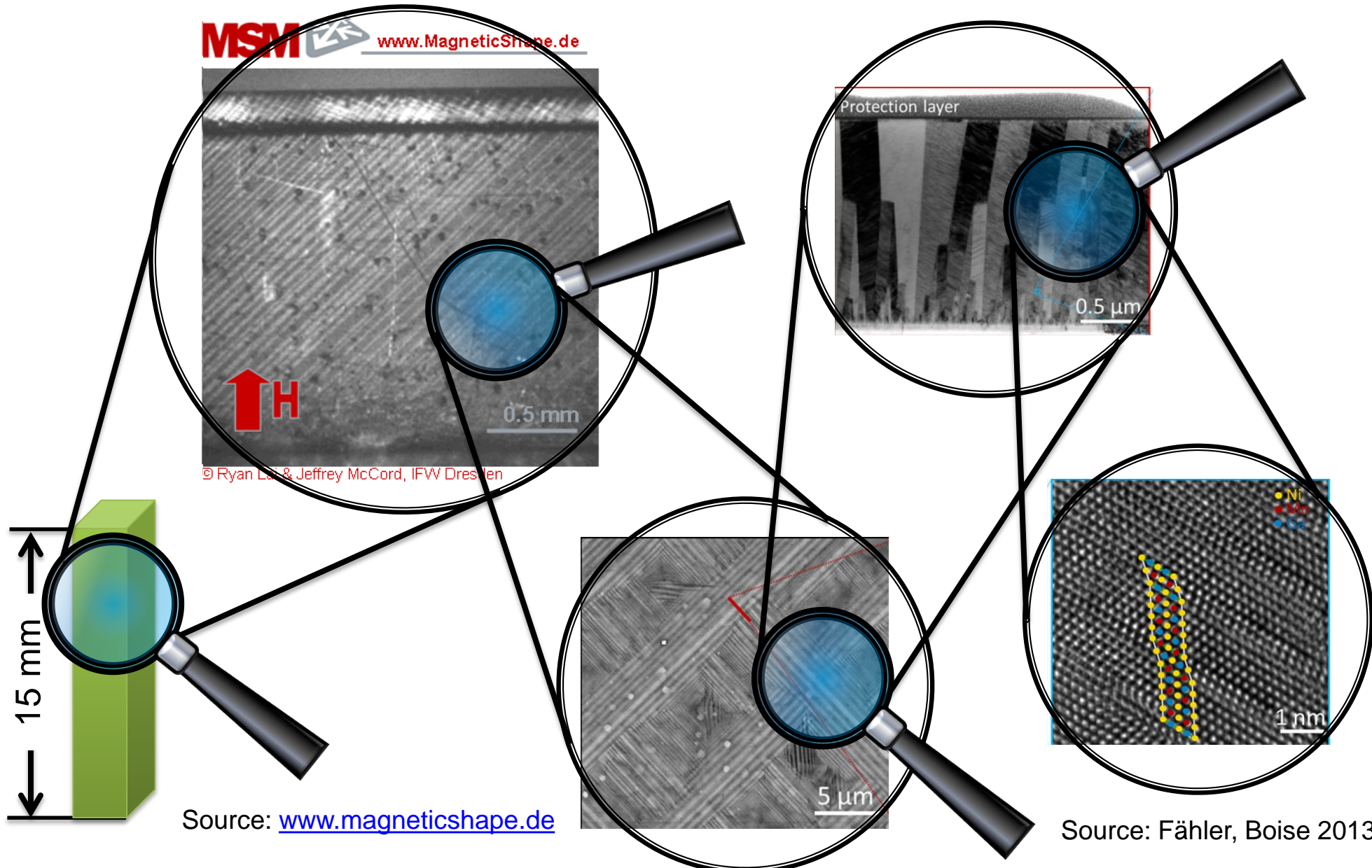
## Magnetic Shape Memory Technology Background

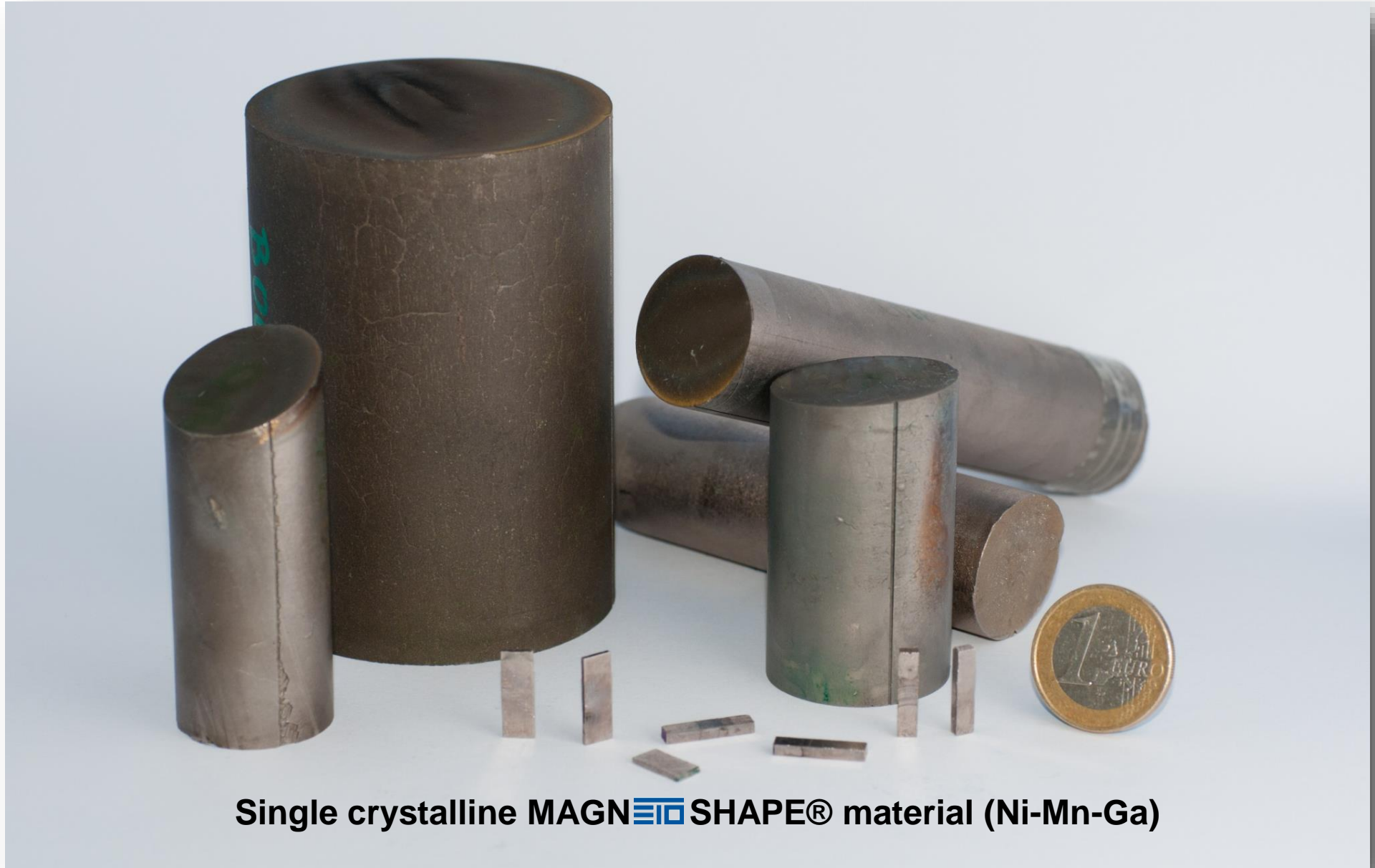


\* Magnetostriction may occur, but is neglected here.

# Short Introduction (MSM)

From macro-twins to nano-twins

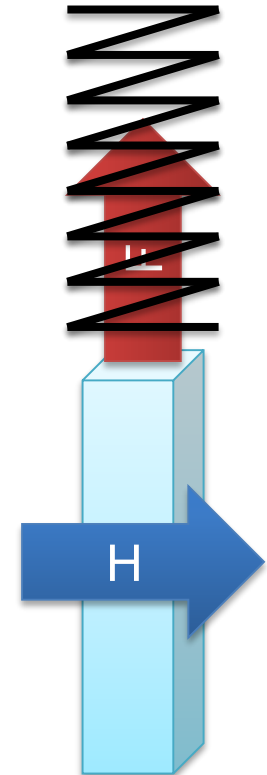
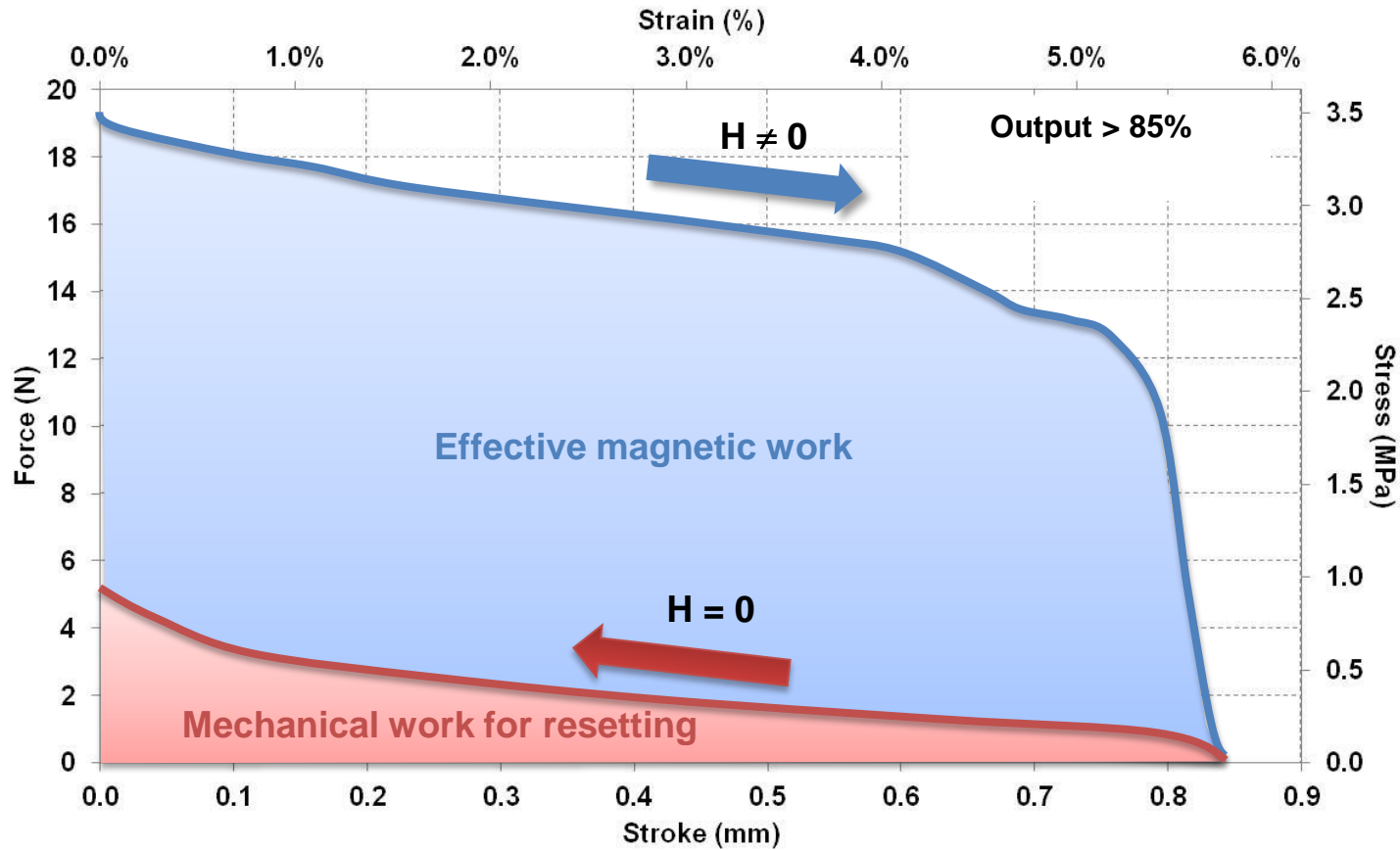




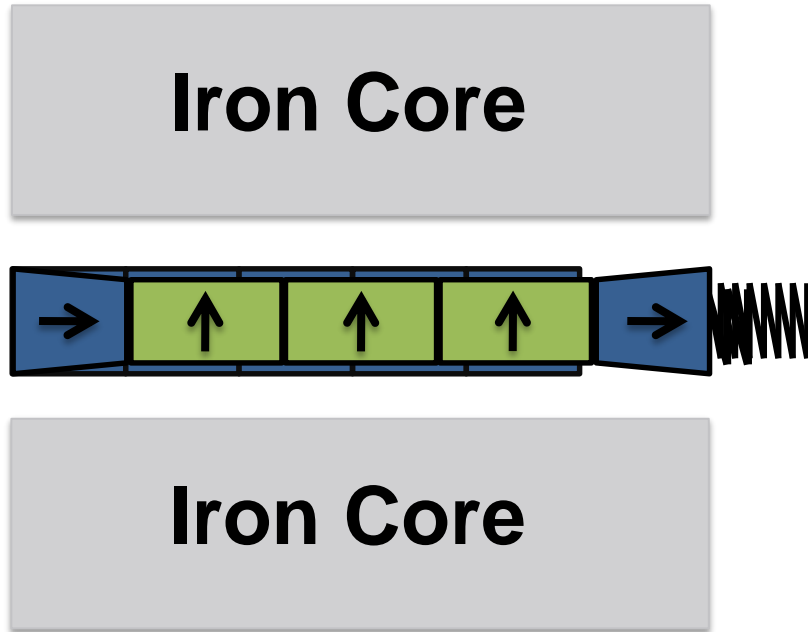
Single crystalline **MAGNETO SHAPE®** material (Ni-Mn-Ga)

# High Work Output Ratio

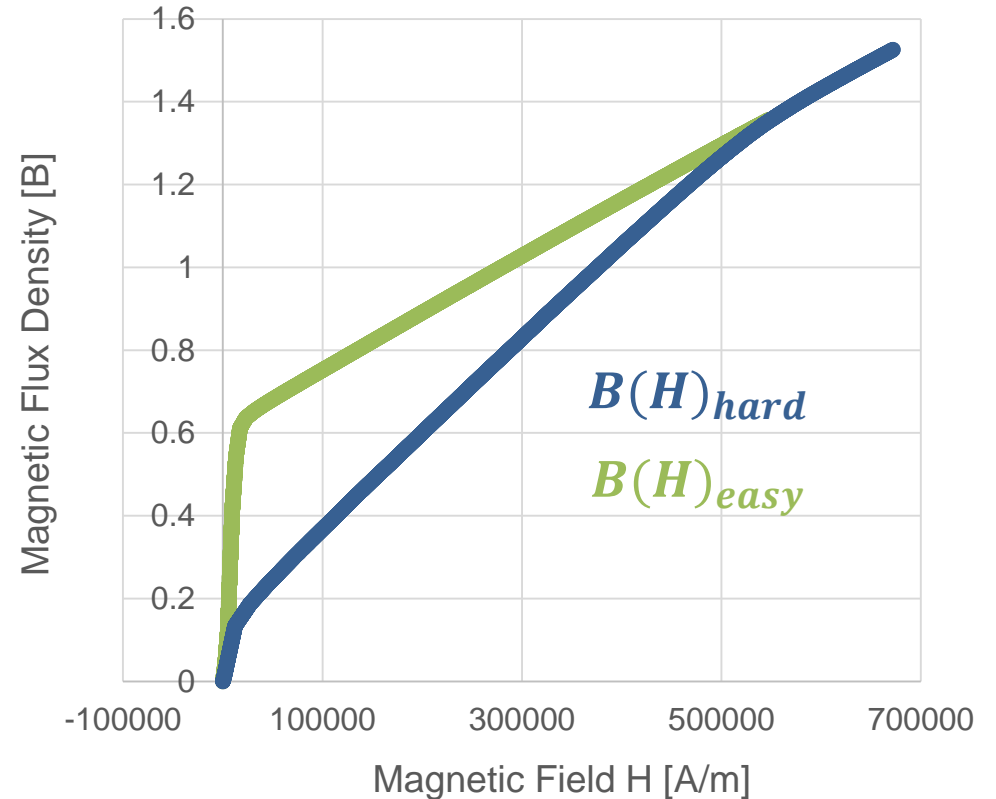
MSM-Werkstoff



## Magnetic Field, easily

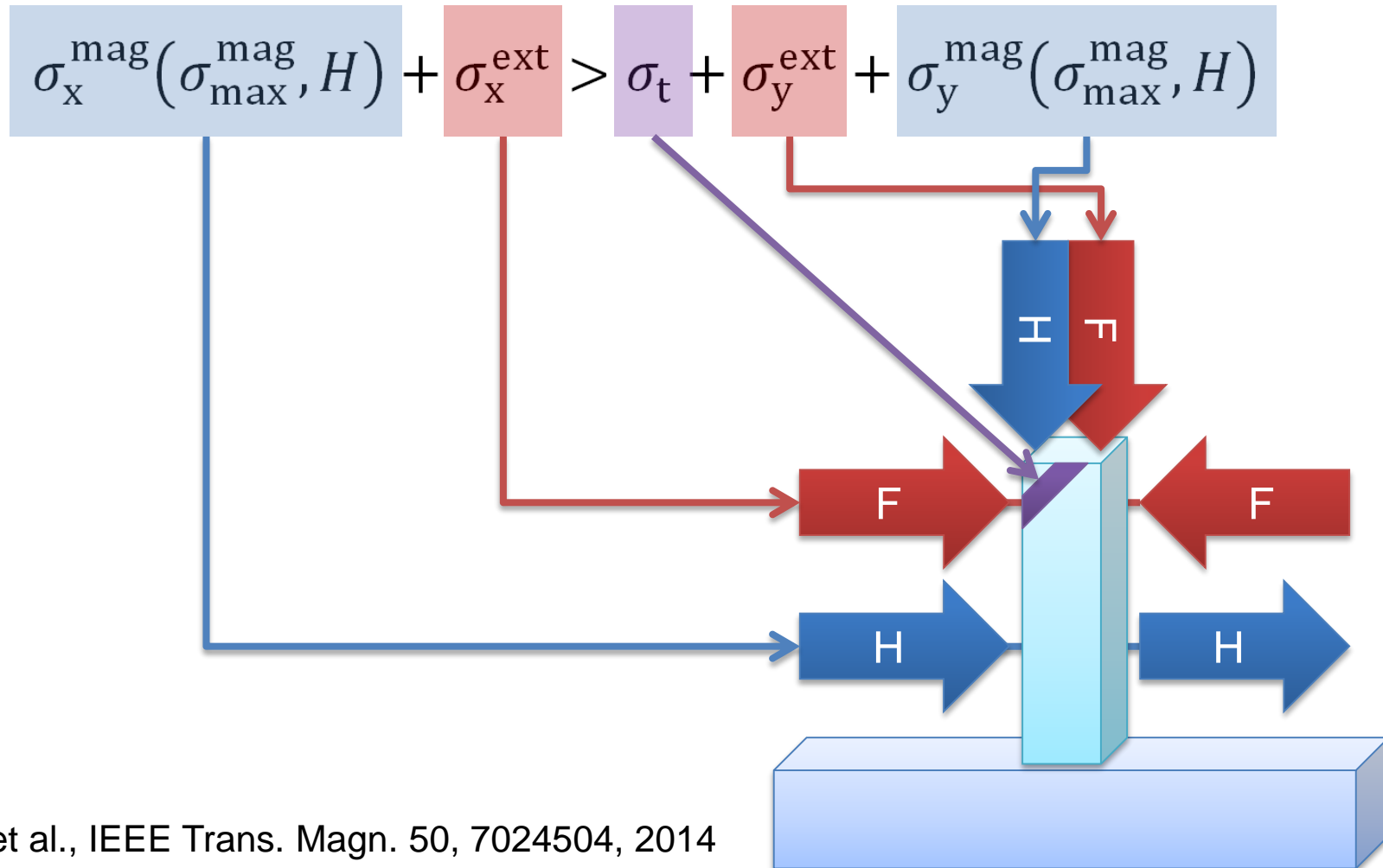


### B(H) MSM Alloy

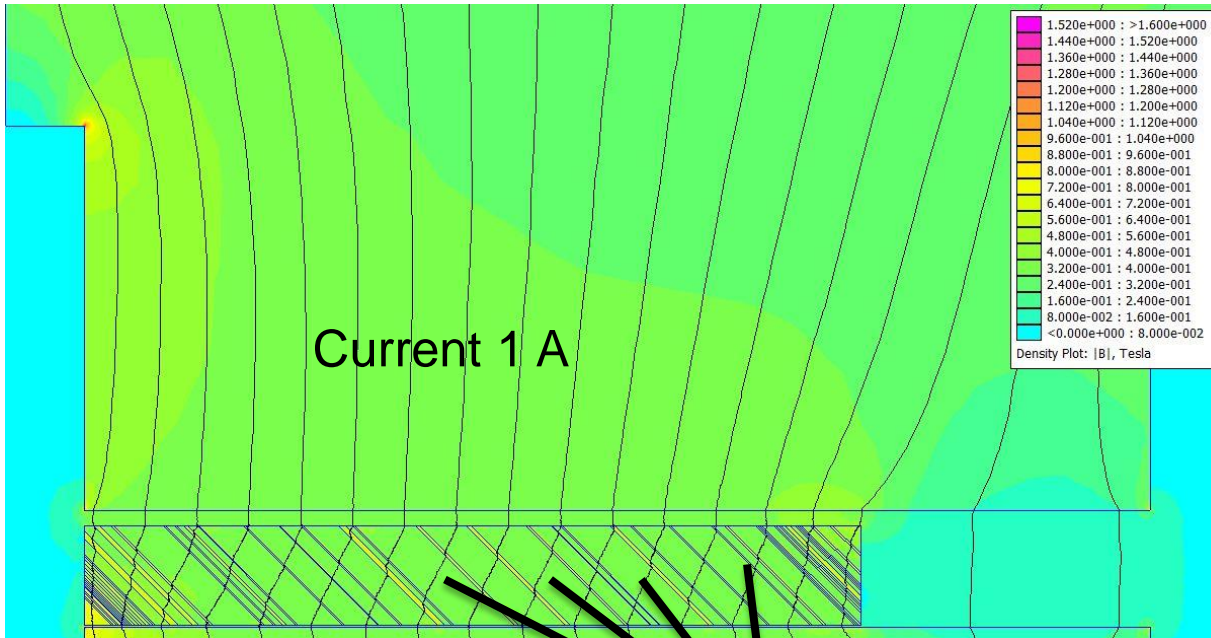




In Magnetic Shape Memory material the magnetic field generates a magneto-mechanical stress that leads to a shape change under this condition:

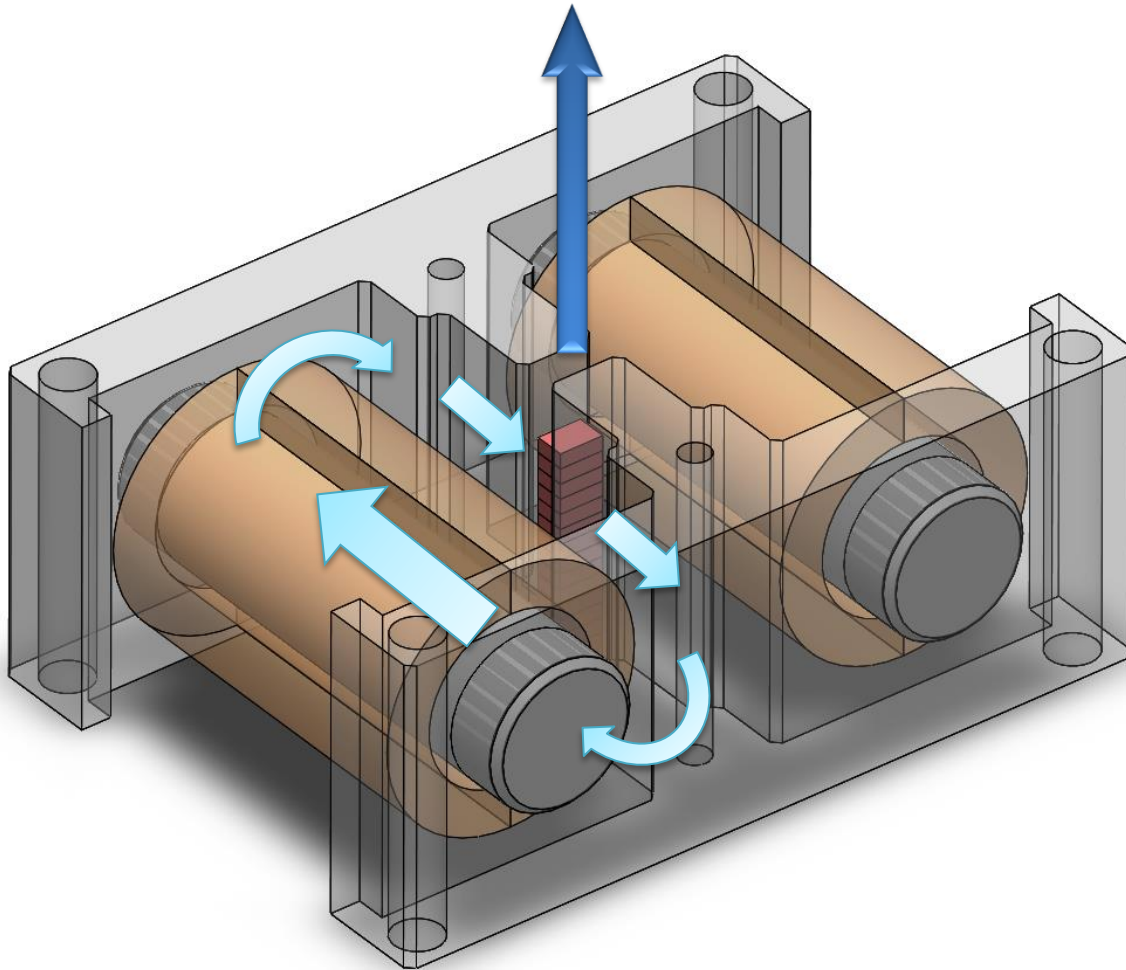


Schiepp et al., IEEE Trans. Magn. 50, 7024504, 2014



$$\sigma_x^{\text{mag}}(\sigma_{\text{max}}^{\text{mag}}, H) + \sigma_x^{\text{ext}} > \sigma_t + \sigma_y^{\text{ext}} + \sigma_y^{\text{mag}}(\sigma_{\text{max}}^{\text{mag}}, H)$$

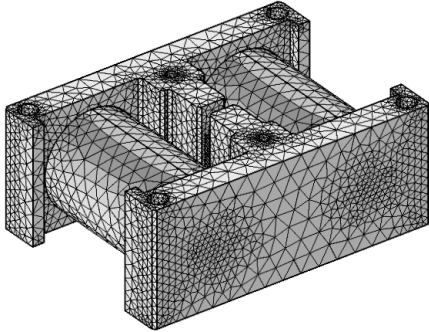




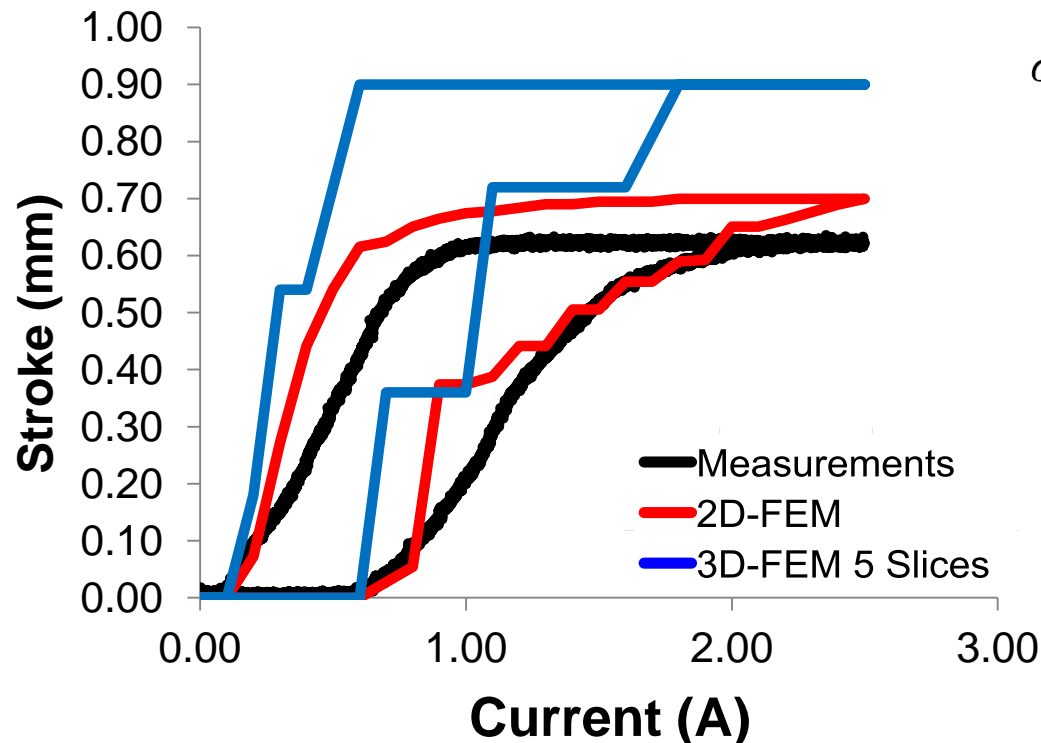
## Spring actuator

|                |                              |
|----------------|------------------------------|
| Actuator size  | 35 × 40 × 20 mm <sup>3</sup> |
| MSM size       | 2 × 3 × 15 mm <sup>3</sup>   |
| Cu weight      | 14 g                         |
| Current        | 3 A                          |
| Stroke         | 0.7 mm                       |
| Force          | 7 N                          |
| Switching time | 1.6 ms                       |





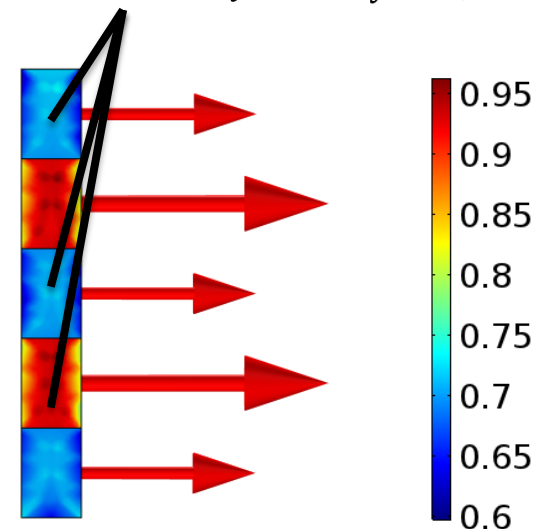
## Current-Stroke Curve MSM

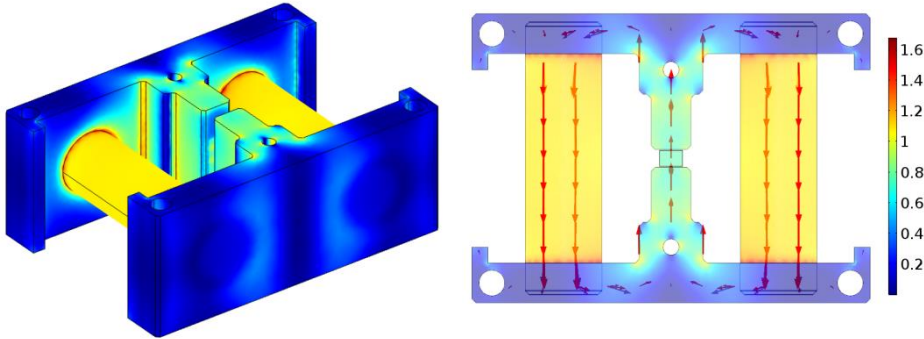


## First 3D simulation with this Model:

- Magneto-Static simulation
- Subdivided in 5 elements
- Each with individual twinning stress
- Magneto-mechanical behaviour is calculated separately

$$\sigma_x^{\text{mag}}(\sigma_{\text{max}}^{\text{mag}}, H) + \sigma_x^{\text{ext}} > \sigma_t + \sigma_y^{\text{ext}} + \sigma_y^{\text{mag}}(\sigma_{\text{max}}^{\text{mag}}, H)$$

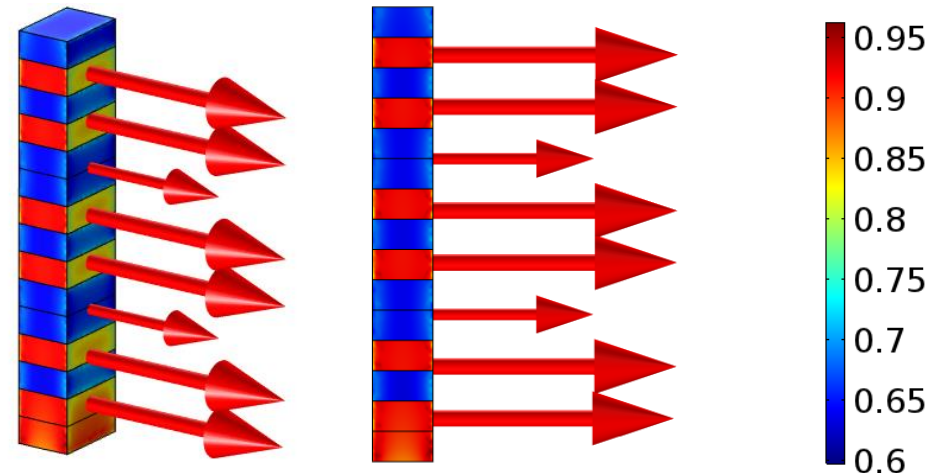
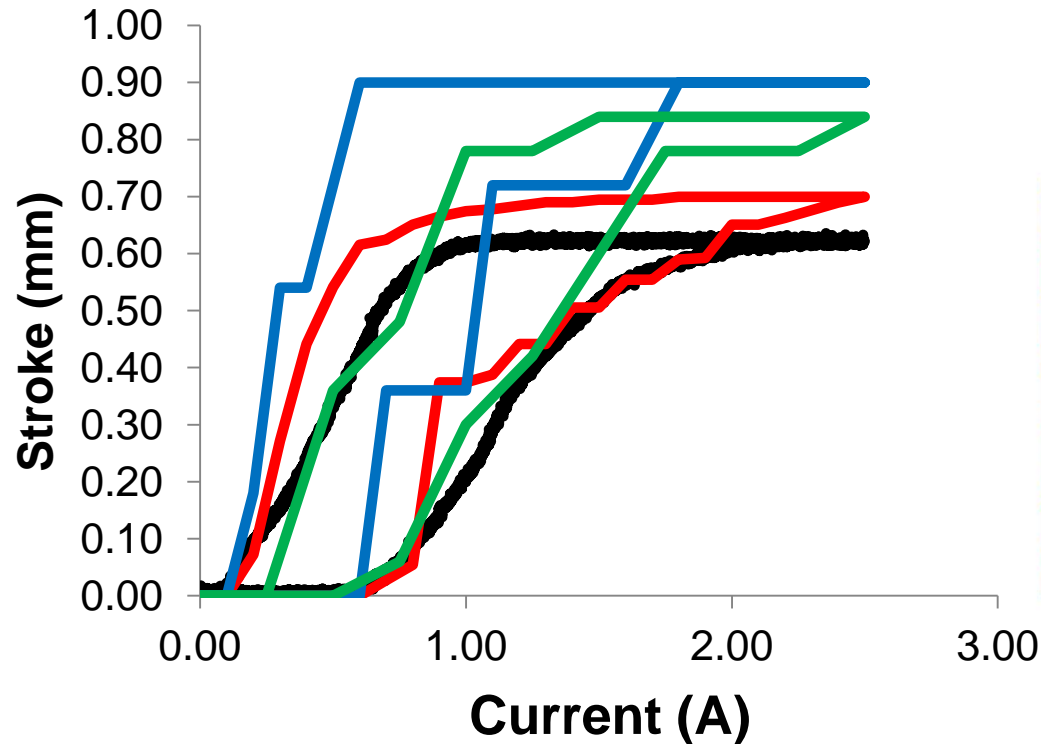




## Second 3D simulation more Elements:

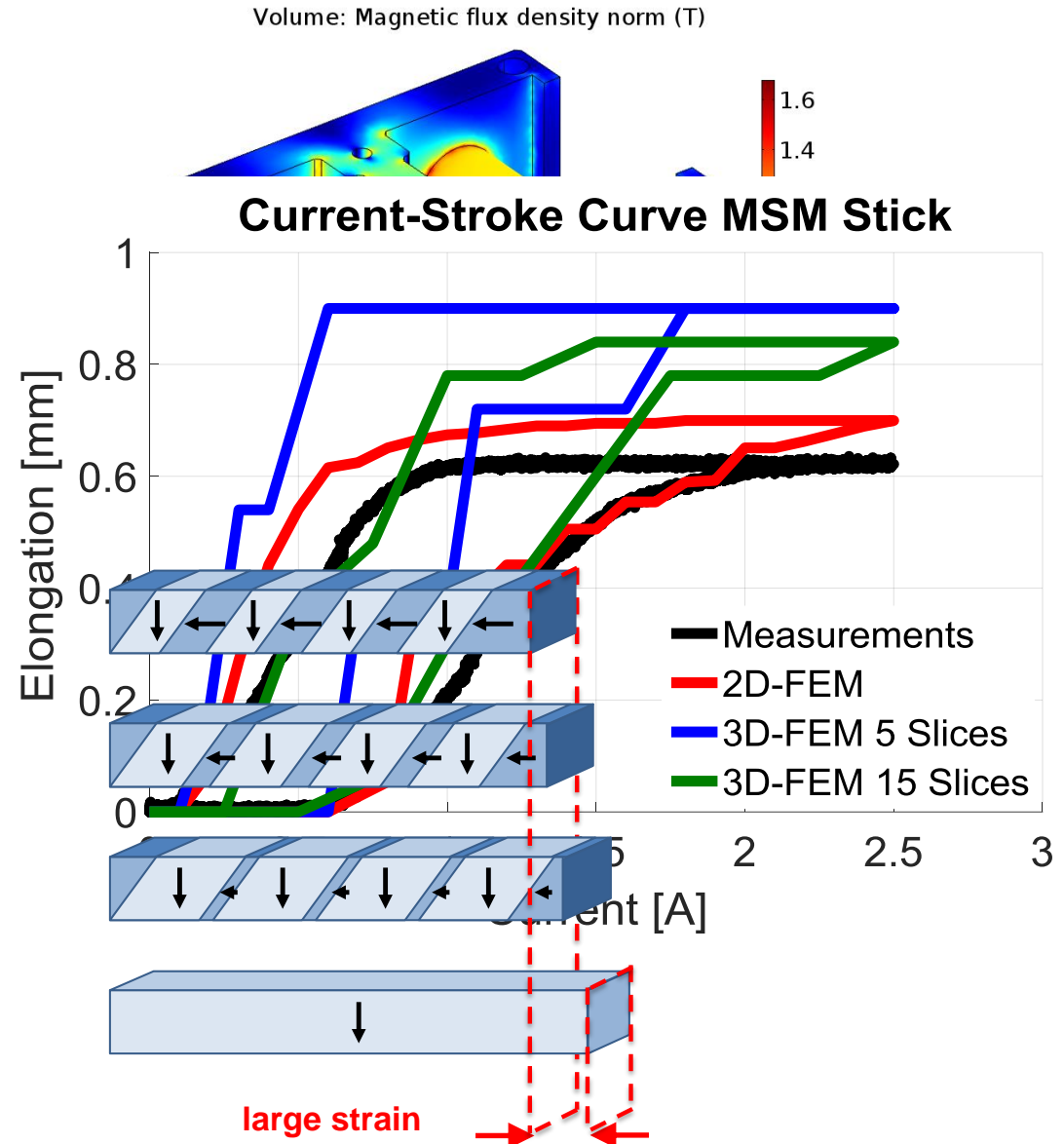
- Magneto-Static simulation
- Subdivided in 15 Elements
- Each with individual twinning stress
- Magneto-mechanical behaviour is calculated separately

## Current-Stroke Curve MSM



## Conclusion and Outlook

- 3D-FEM simulation results are presented that demonstrate a possibility of modeling MSM actuators
- Taking into account the anisotropic behavior of MSM materials
- Appropriate representation of the twin structure
- The flux density within the magnetic circuit of an MSM actuator is analyzed using COMSOL® Multiphysics
- The results agree with previous 2D-Fem simulations as well as measurements
- To reduce the divergence between the 3D-FEM-simulations results and the measurements, a increased amount of slices will be necessary
- Therefore an automated and adaptive evaluating process is indispensable



Thank you for your attention,  
do have any questions?